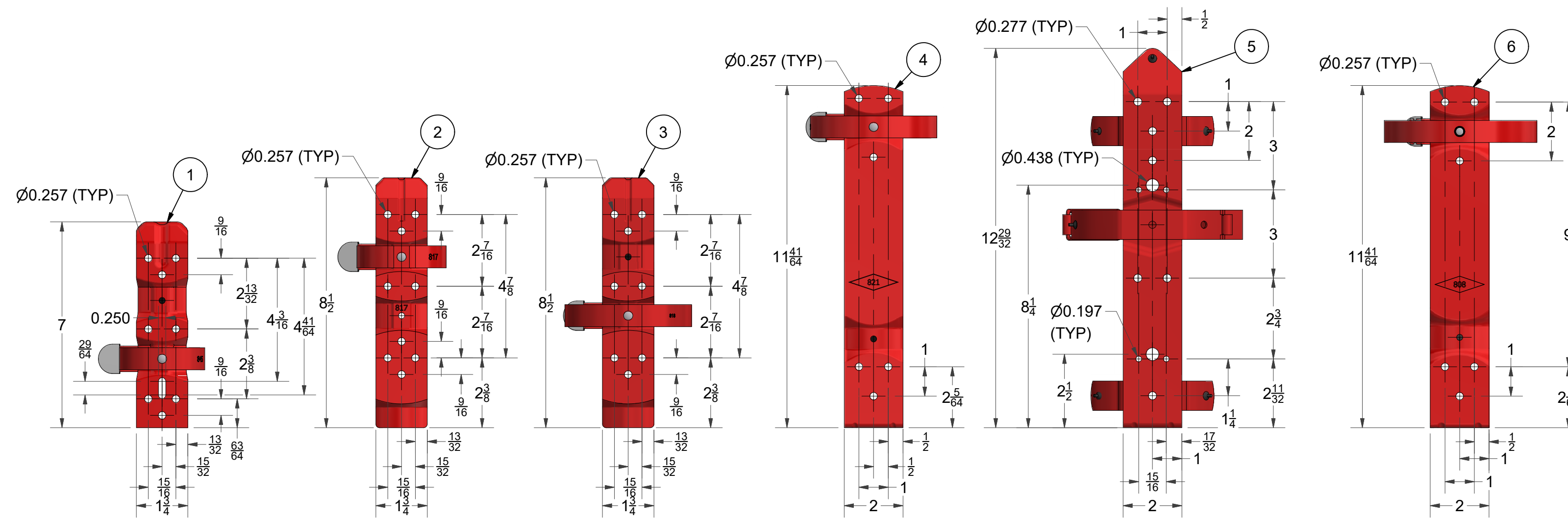
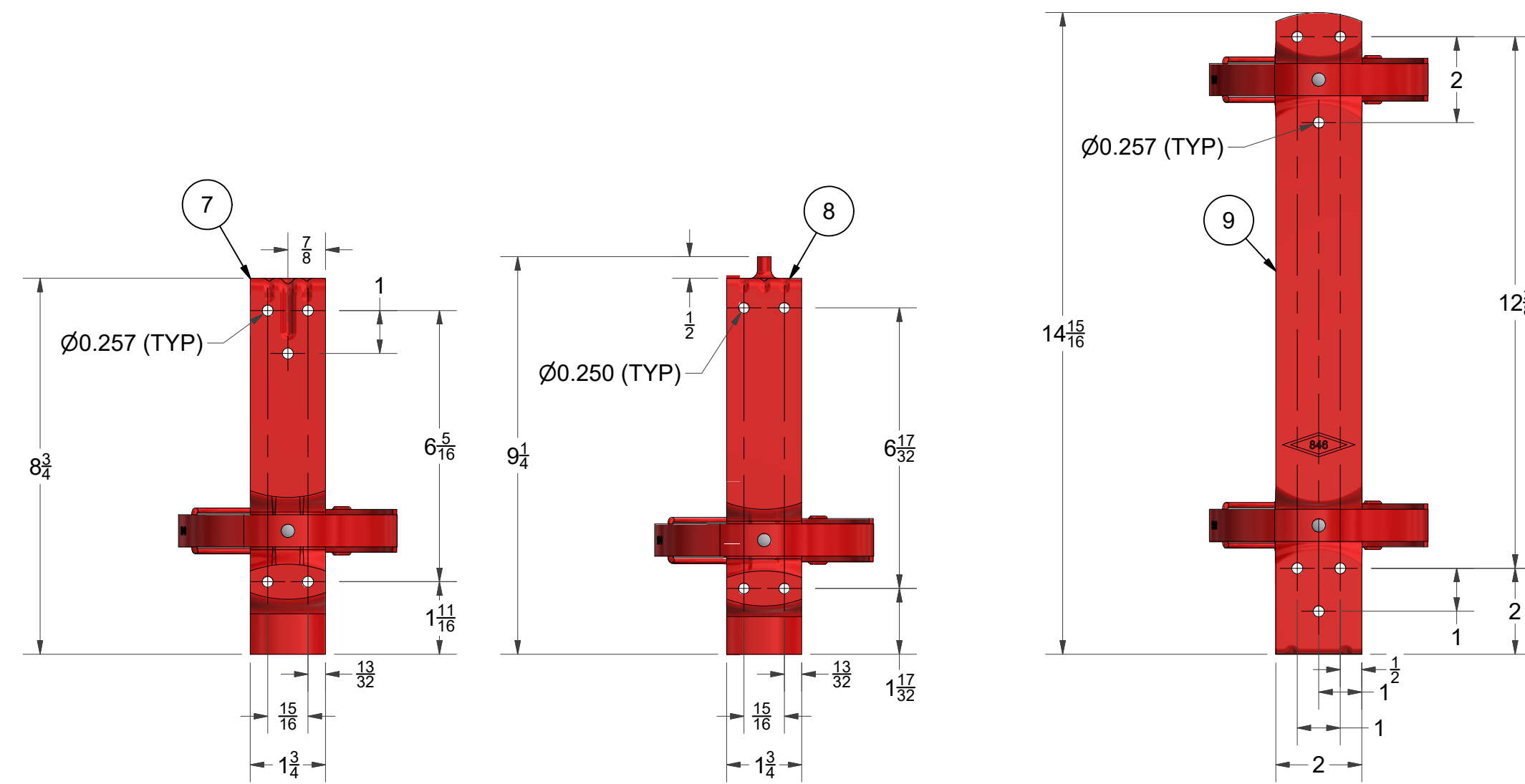


VEHICLE / MARINE / AVIATION BRACKETS

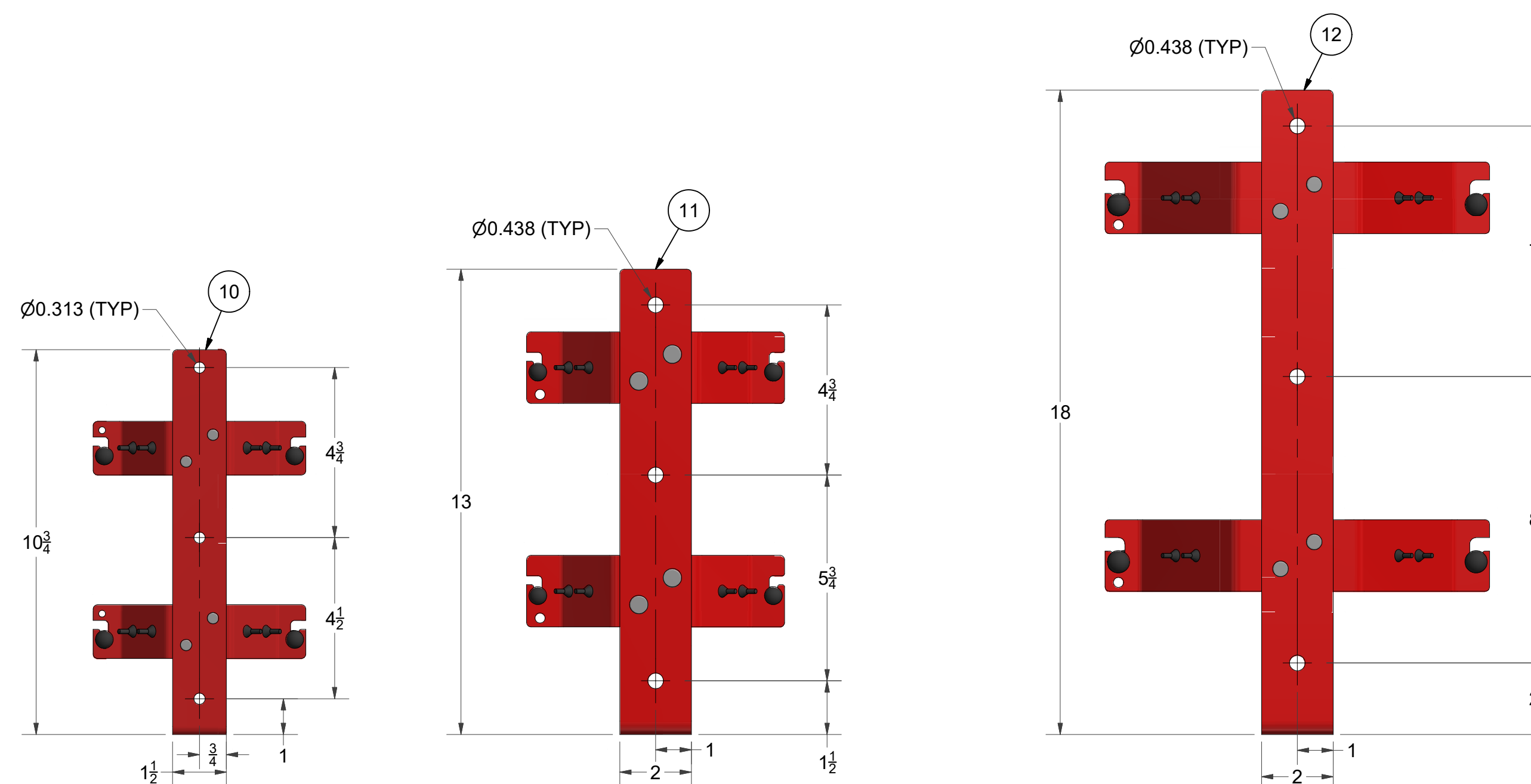


ITEM	PART #	DESCRIPTION	UM	QPA
1	05530	BKT ASY 845 RD	EA	1
2	01089	BKT ASY 817 RD	EA	1
3	01211	BKT ASY 818 RD	EA	1
4	02909	BKT ASY 821 RD	EA	1
5	07278	BKT ASY 861H RD COMP	EA	1
6	03329	BKT ASY 808 RD	EA	1
7	16831	BKT ASY 889 RD	EA	1
8	17148	BKT ASY 889 HB RD	EA	1
9	15928	BKT ASY 846 RD 2 STRAP	EA	1
10	10437	BKT ASY 860 RD	EA	1
11	07182	BKT ASY 862 RD	EA	1
12	07510	BKT ASY 864 RD	EA	1

WALL STRAP BRACKETS



HEAVY DUTY RUBBER STRAP BRACKETS



NOTES:

1. HOLE PATTERN FOR THE 845S IS IDENTICAL TO 845.
2. HOLE PATTERN FOR THE 817S IS IDENTICAL TO 817.
3. HOLE PATTERN FOR THE 818S IS IDENTICAL TO 818.
4. HOLE PATTERN FOR THE 821S IS IDENTICAL TO 821.

REVISED DIMENSION STYLE FOR MOUNT HOLES: DECIMAL WAS FRACTIONAL		KW	M004135	12/5/19	THIS DRAWING IS THE EXCLUSIVE AND CONFIDENTIAL PROPERTY OF AMEREX CORP. IT SHALL NOT BE DUPLICATED, USED OR DISCLOSED TO OTHERS WITHOUT THE EXPRESS WRITTEN CONSENT OF AMEREX CORPORATION.			
REV	INITIAL RELEASE	KW	M003371	7/27/18	AMEREX CORPORATION TRUSSVILLE, ALABAMA			
BY	DRAWING CHANGE	BY	ECN#	DATE	DRAWN BY	APPROVED BY	Title	DWG NO.
					KW		HOLE PATTERN BKT VMA/WS/R	
TOLERANCES UNLESS OTHERWISE SPECIFIED					SCALE	DATE	VEH/MARINE/AVIA/WALL/RUB	26661
FRAC ± 0.020	2 PL. DEC ± 0.010	3 PL. DEC ± 0.003	TIR		5/16	7/27/2018		A